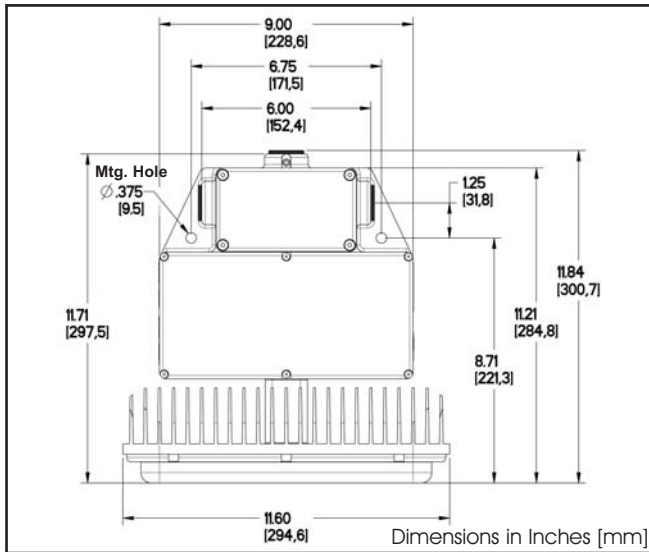




SafeSite® LED Area Light



Certifications & Ratings:

- ▷ Class I, Div 2, Groups A, B, C, D hazardous environments T4A rated
- ▷ Class II, Div 2, Groups F, G hazardous environments T3B rated
- ▷ Certified to UL844 / NEMA 4X / UL1598 / UL1598A / CSA 22.2
- ▷ IP66 rated

Features & Benefits:

- ▷ Low power consumption
- ▷ Instant on/off response
- ▷ Weather/corrosion resistant lamp assembly and housing
- ▷ Universal input (120-277 VAC), 50/60 Hz
- ▷ *Resistant to shock (IEC 68-2-27) and vibration (FAA 150/5345-46C)
- ▷ 5 year warranty
- ▷ 70% lumen maintenance over 60,000 operating hours

Order Codes:

SafeSite 70 Series	
HZC020701111212	CID2/CIID2 Cert - 180 Degree
HZC020701111312	CID2/CIID2 Cert - 360 Degree
SafeSite 150 Series	
HZC021501111212	CID2/CIID2 Cert - 180 Degree
HZC021501111312	CID2/CIID2 Cert - 360 Degree
SafeSite 250 Series	
HZC022501111212	CID2/CIID2 Cert - 180 Degree
HZC022501111312	CID2/CIID2 Cert - 360 Degree

Application:

Dialight introduces the new state of the art fixture for hazardous location lighting. Its rugged solid state design creates a new era where failed lamps and expensive relamping costs become a thing of the past. This light incorporates both cutting edge LED technology along with proprietary optics to achieve area lighting comparable with other traditional light sources. By focusing the light where it is needed, the SafeSite Series is the most efficient light source available for hazardous area lighting applications. Whether your application is in a refinery, oil platform, chemical plant or any other Class I, Division 2 / Class II, Div 2 application, this fixture offers improved performance across the board.

Mechanical Information:

Container Dimensions: 15" X 16" X 10"
381mm x 407mm x 254mm

Container Weight: 19 lbs (8.2 kg)

Mounting: Threaded 1" NPT on 3 sides of splice box

Electrical specifications:

Operating Voltage: 120-277 VAC, 50/60 Hz
(DC versions available - consult factory)

Power Consumption: 70 W (70 Series), 100w (150 & 250) Series

Operating Temp: -40°F to +133°F (-40°C to +55°C)

Harmonics: IEC 6100-3-2

Surge / Lightning Protection: 1 kV line to line
2 kV line to ground

THD: <5% (120VAC)
<10% (230/240VAC)
<15% (277VAC)

Power Factor: > 0.9

Material:

Lens: UV stabilized Polycarbonate with enhanced abrasive resistance

Body: Grey powder coated aluminum

Heat sink: Grey powder coated aluminum

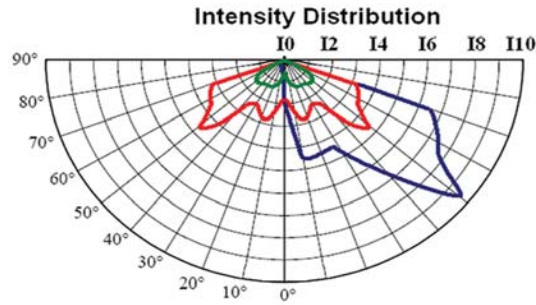
Accessories (hardware): Stainless steel

Photometric Information:

CRI (typ): 70

CCT: 4500-7000K

Light Measurement Data



FRONT/BACK
 — 180 Degree Pattern
 — 360 Degree Pattern

SIDES
 — 180 Degree Pattern
 — 360 Degree Pattern

70 Series

Intensity Values for Night or Low Light Level Conditions (Scotopic Candelas)

I0	I2	I4	I6	I8	I10
0	1333	2667	4000	5333	6667

8,300 Total Lumens for Night or Low Light Level Conditions (scotopic)

Intensity Values for Day or High Light Level Conditions (Photopic Candelas)

I0	I2	I4	I6	I8	I10
0	600	1200	1800	2400	3000

3,640 Total Lumens for Day or High Light Level Conditions (photopic)

150 Series

I0	I2	I4	I6	I8	I10
0	1800	3600	5400	8100	9000

11,250 Total Lumens for Night or Low Light Level Conditions (scotopic)

I0	I2	I4	I6	I8	I10
0	810	1620	2430	3240	4050

4,950 Total Lumens for Day or High Light Level Conditions (photopic)

250 Series

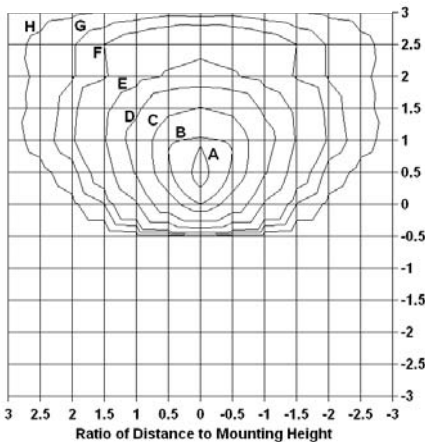
I0	I2	I4	I6	I8	I10
0	2000	4000	6000	8000	10000

12,500 Total Lumens for Night or Low Light Level Conditions (scotopic)

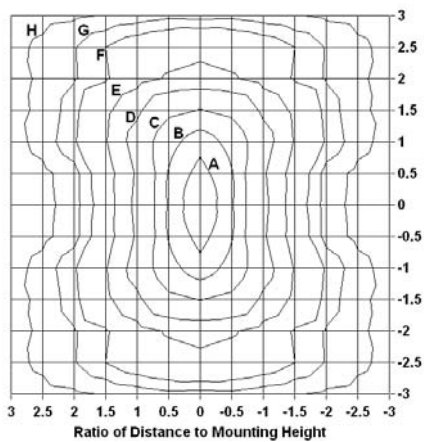
I0	I2	I4	I6	I8	I10
0	900	1800	2700	3600	4500

5,500 Total Lumens for Day or High Light Level Conditions (photopic)

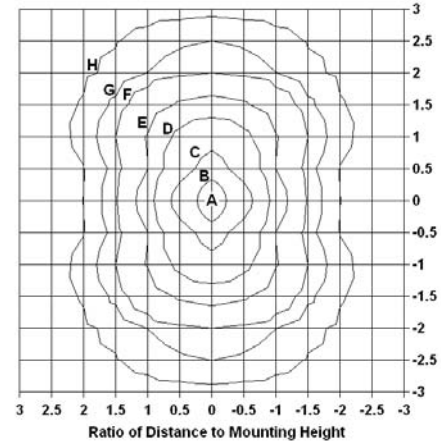
180 Degree Pattern



Back to Back 360 Degree Pattern



360 Degree Pattern



70 Series

Illuminance Values for Night or Low Light Level Conditions (Scotopic Footcandles)

Mounting Height (ft)	A	B	C	D	E	F	G	H
4	136.80	91.20	72.96	45.60	27.36	13.68	9.12	4.56
8	34.20	22.80	18.24	11.40	6.84	3.42	2.28	1.14
12	15.20	10.13	8.11	5.07	3.04	1.52	1.01	0.51
16	8.55	5.70	4.56	2.85	1.71	0.86	0.57	0.29
20	5.47	3.65	2.92	1.82	1.09	0.55	0.36	0.18
25	3.50	2.33	1.87	1.17	0.70	0.35	0.23	0.12
30	2.43	1.62	1.30	0.81	0.49	0.24	0.16	0.08
35	1.79	1.19	0.95	0.60	0.36	0.18	0.12	0.06

Illuminance Values for Day or High Light Level Conditions (Photopic Footcandles)

Mounting Height (ft)	A	B	C	D	E	F	G	H
4	60.00	40.00	32.00	20.00	12.00	6.00	4.00	2.00
8	15.00	10.00	8.00	5.00	3.00	1.50	1.00	0.50
12	6.67	4.44	3.56	2.22	1.33	0.67	0.44	0.22
16	3.75	2.50	2.00	1.25	0.75	0.38	0.25	0.13
20	2.40	1.60	1.28	0.80	0.48	0.24	0.16	0.08
25	1.54	1.02	0.82	0.51	0.31	0.15	0.10	0.05
30	1.07	0.71	0.57	0.36	0.21	0.11	0.07	0.04
35	0.78	0.52	0.42	0.26	0.16	0.08	0.05	0.03

150 Series

Illuminance Values for Night or Low Light Level Conditions (Scotopic Footcandles)

Mounting Height (ft)	A	B	C	D	E	F	G	H
4	184.7	123.1	98.5	61.6	36.9	18.5	12.3	6.2
8	46.2	30.8	24.6	15.4	9.2	4.6	3.1	1.5
12	20.5	13.7	10.9	6.8	4.1	2.1	1.4	0.7
16	11.6	7.7	6.2	3.9	2.3	1.1	0.8	0.4
20	7.4	4.9	3.9	2.5	1.5	0.7	0.5	0.2
25	4.7	3.2	2.5	1.6	0.9	0.5	0.3	0.2
30	3.3	2.2	1.7	1.1	0.7	0.3	0.2	0.1
35	2.4	1.6	1.3	0.8	0.5	0.2	0.2	0.1

Illuminance Values for Day or High Light Level Conditions (Photopic Footcandles)

Mounting Height (ft)	A	B	C	D	E	F	G	H
4	81.00	54.00	43.20	27.00	16.20	8.10	5.40	2.70
8	20.25	13.50	10.80	6.75	4.05	2.03	1.35	0.68
12	9.00	6.00	4.80	3.00	1.80	0.90	0.60	0.30
16	5.07	3.38	2.70	1.69	1.02	0.50	0.34	0.17
20	3.24	2.16	1.73	1.08	0.65	0.32	0.22	0.11
25	2.07	1.39	1.11	0.69	0.41	0.21	0.14	0.07
30	1.44	0.96	0.77	0.48	0.29	0.14	0.10	0.05
35	1.06	0.70	0.57	0.35	0.22	0.11	0.07	0.04

250 Series

Illuminance Values for Night or Low Light Level Conditions (Scotopic Footcandles)

Mounting Height (ft)	A	B	C	D	E	F	G	H
4	205.20	136.80	109.44	68.40	41.04	20.52	13.68	6.84
8	51.30	34.20	27.36	17.10	10.26	5.13	3.42	1.71
12	22.80	15.20	12.16	7.60	4.56	2.28	1.52	0.76
16	12.83	8.55	6.84	4.28	2.57	1.28	0.86	0.43
20	8.21	5.47	4.38	2.74	1.64	0.82	0.55	0.27
25	5.25	3.50	2.80	1.75	1.05	0.53	0.35	0.18
30	3.65	2.43	1.95	1.22	0.73	0.36	0.24	0.12
35	2.68	1.79	1.43	0.89	0.54	0.27	0.18	0.09

Illuminance Values for Day or High Light Level Conditions (Photopic Footcandles)

Mounting Height (ft)	A	B	C	D	E	F	G	H
4	90.00	60.00	48.00	30.00	18.00	9.00	6.00	3.00
8	22.50	15.00	12.00	7.50	4.50	2.25	1.50	0.75
12	10.00	6.67	5.33	3.33	2.00	1.00	0.67	0.33
16	5.63	3.75	3.00	1.88	1.13	0.56	0.38	0.19
20	3.60	2.40	1.92	1.20	0.72	0.36	0.24	0.12
25	2.30	1.54	1.23	0.77	0.46	0.23	0.15	0.08
30	1.60	1.07	0.85	0.53	0.32	0.16	0.11	0.05
35	1.18	0.78	0.63	0.39	0.24	0.12	0.08	0.04

SafeSite® LED Area Light Mounting Brackets - Single Units



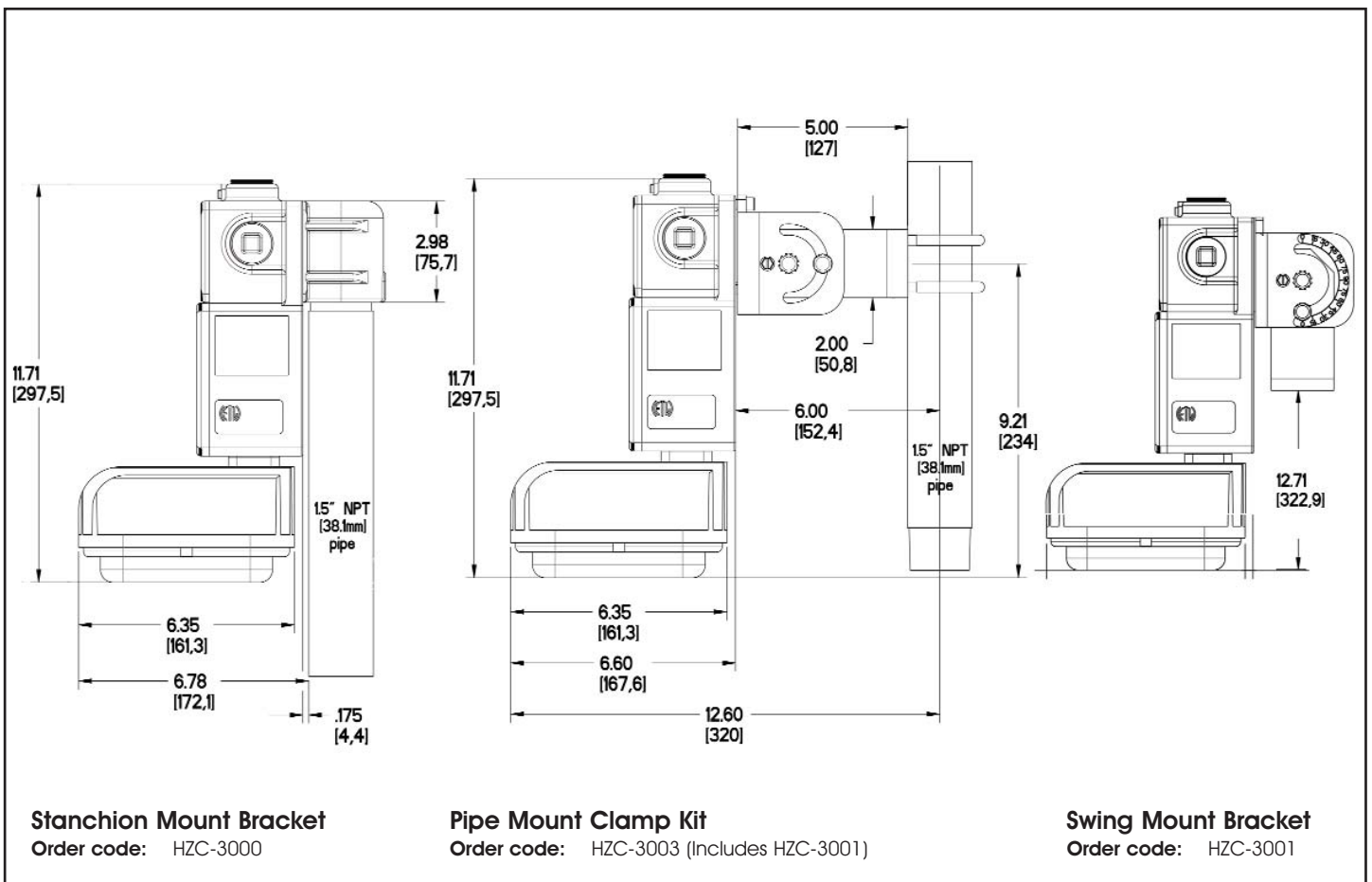
Stanchion Mount Bracket



Pipe Mount Clamp Kit



180° Adjustable Swing Mount Bracket



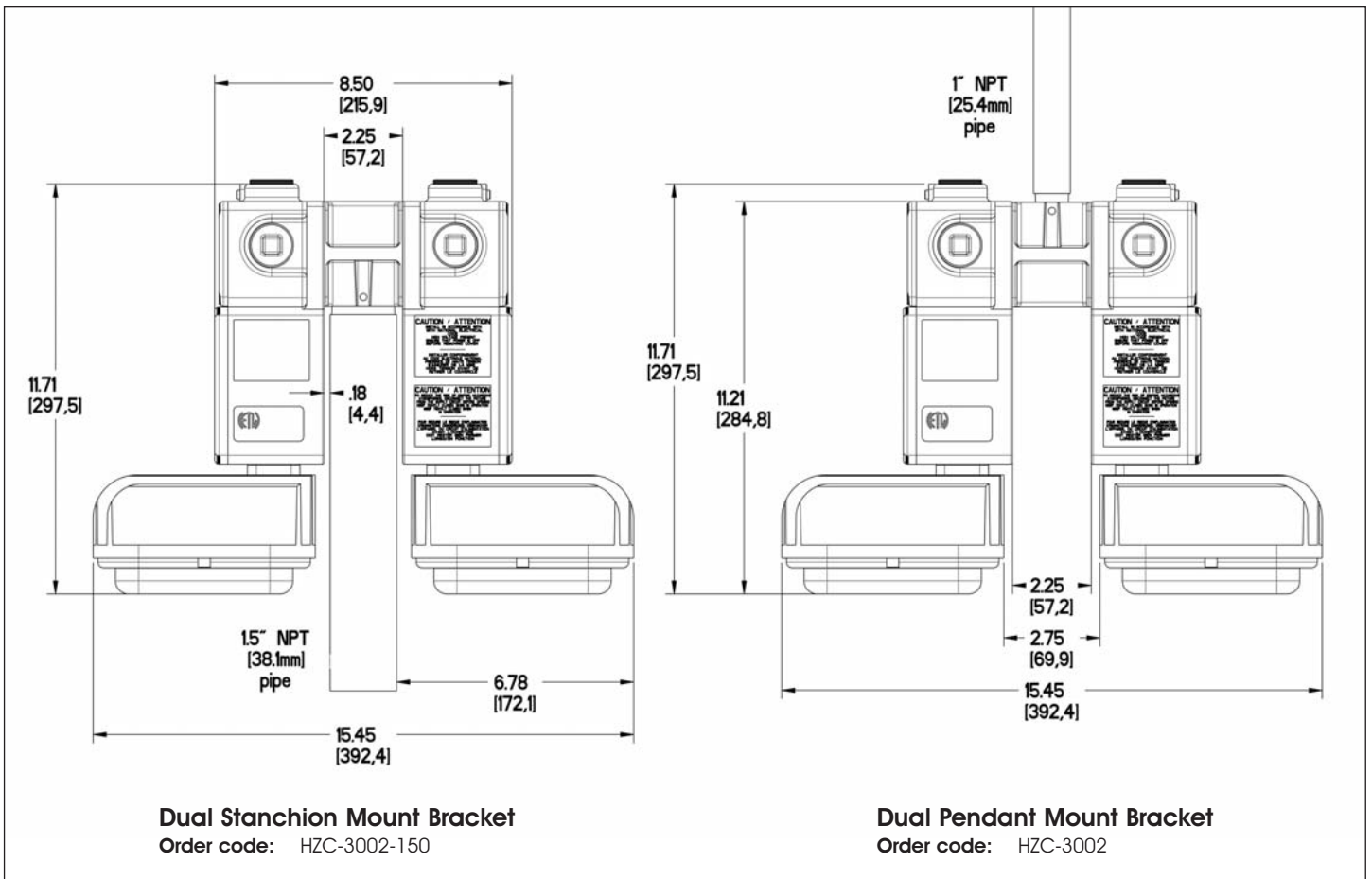
Dimensions in Inches [mm]

SafeSite® LED Area Light Mounting Brackets - Dual Units

Dual Stanchion Mount Bracket



Dual Pendant Mount Bracket



Dimensions in Inches [mm]

Dialight reserves the right to make changes at any time in order to supply the best product possible.

The most current version of this document will always be available at:

http://www.dialight.com/Assets/Brochures_And_Catalogs/Illumination/MDTFHZCBROCHURE.pdf

MDTFHZCBROCHURE_E